

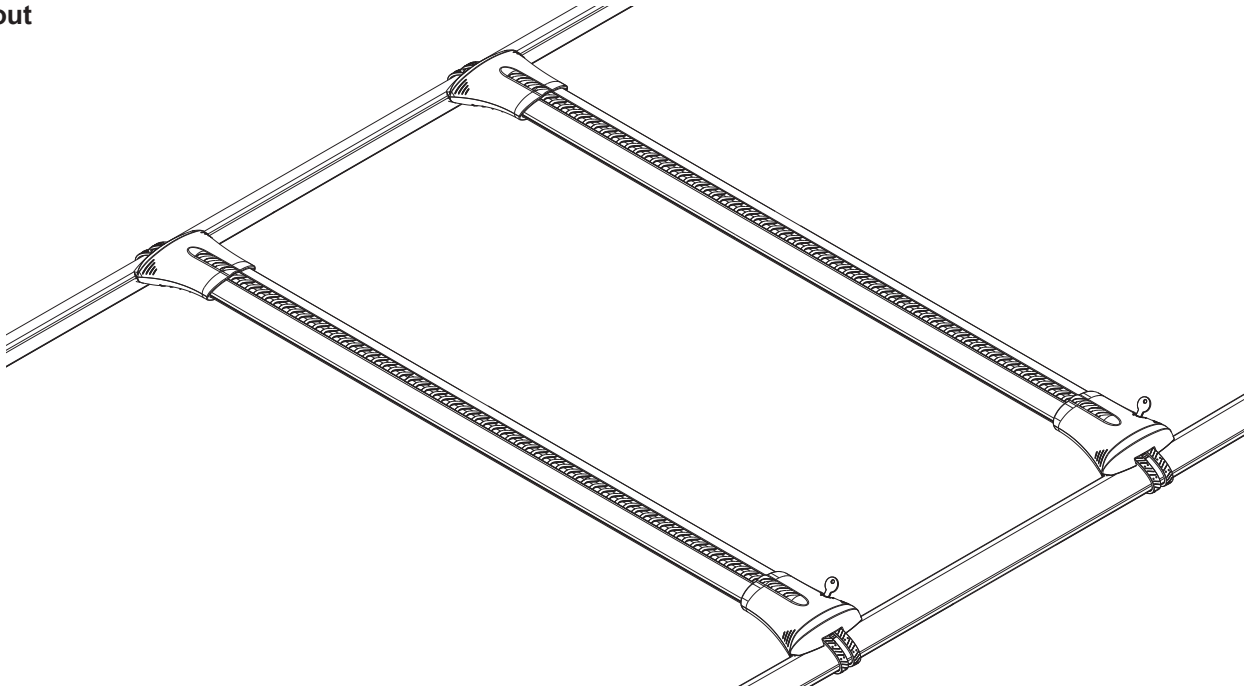


RHINO-RACK

Stealth Flush Mount

Important: Please read these instructions carefully prior to installation. Please refer to your fitting instruction to ensure that the bike rack is installed in the correct locations. Check the contents of kit before commencing fitment and report any discrepancies. Place these instructions in the vehicle's glove box after installation is complete.

Layout



Important Information

Maximum carrying capacity:

80kg (176lbs). Load must be evenly distributed over the crossbars. Please refer to your vehicle manufacturers handbook for maximum carrying capacity. Always use the lower of the two figures. Load must be evenly distributed over the crossbars.

Recommendations:

All bolt connections must be checked after driving a short distance when you first install your roof racks. Bolt connections should be checked again at regular intervals (every 1000km or depending on road conditions, usage, loads and distances travelled). You should also check the condition of your roof racks each time they are re-fitted. Always make sure to fasten your load securely. Please also ensure that all loads are evenly distributed and that the centre of gravity is kept as low as possible. Remove any wind resisting loads before travelling. Remove kids bike seats

Roof racks must be removed when putting vehicle through an automatic car wash.

Caution: The handling characteristics of the vehicle changes when you transport a load on the roof. For safety reasons we recommend you exercise extreme care when transporting wind-resistant loads. Special consideration must be taken into account when cornering and braking.

Note for Dealers and Fitters

It is your responsibility to ensure this fitting instruction is given to the end user or client. Place these instructions in the vehicle's glove box after installation is complete.

Rhino-Rack
3 Pike Street, Rydalmere,
NSW 2116, Australia.
(Ph) (02) 9638 4744
(Fax) (02) 9638 4822

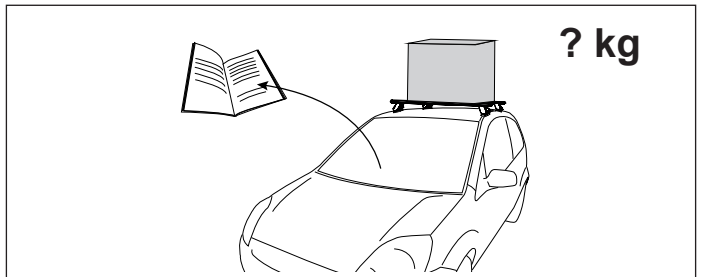
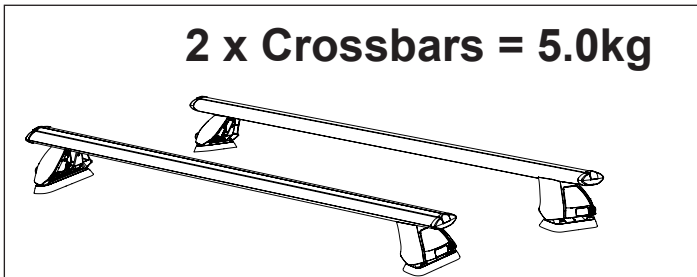
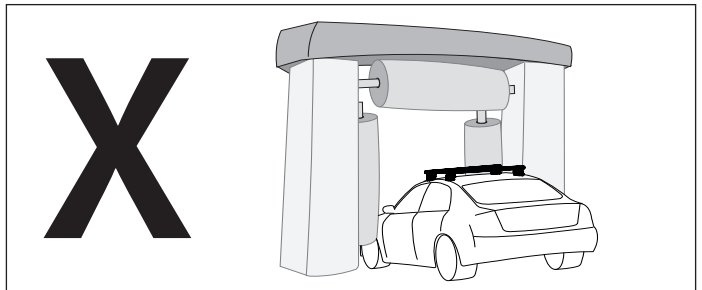
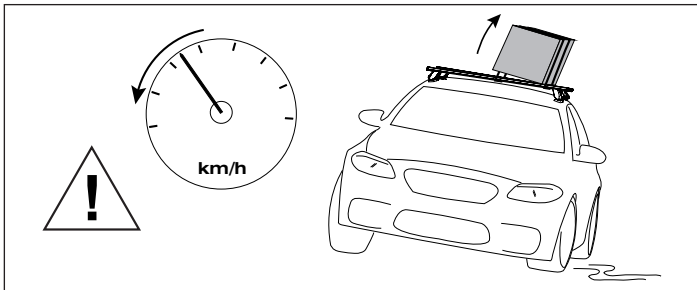
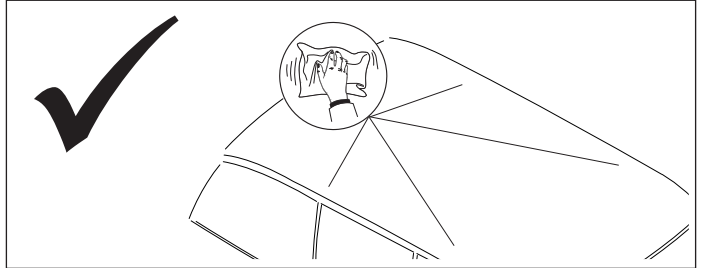
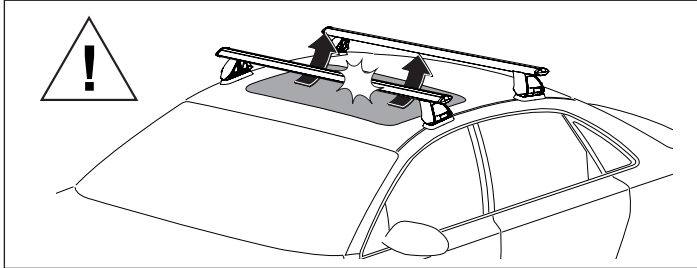
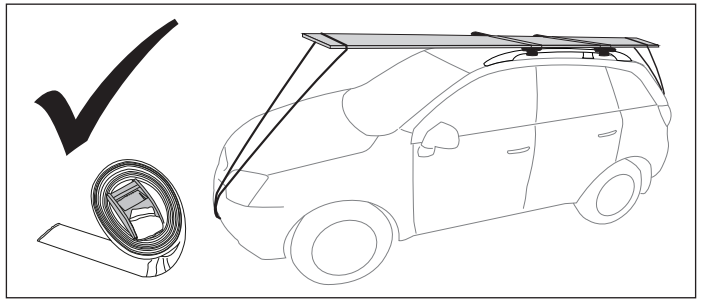
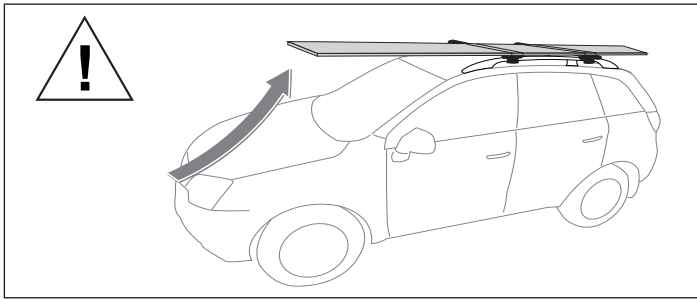
Document No: R504
Prepared By: Kayle Everett
Authorised By: Chris Murty

Issue No: 01
Issue Date: 20/07/2015

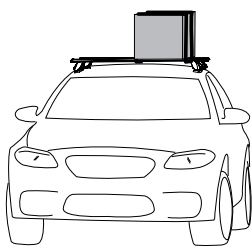
These instructions remain the property of Rhino-Rack Australia Pty Ltd and may not be used or changed for any other purpose than intended.



Stealth Flush Mount



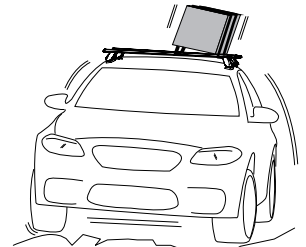
When these roof racks are to be used on a vehicle that is driven off sealed roads, the manufacturer maximum roof load rating (to be found in the vehicles User Manual) should be **divided by 1.5**. Do not forget to subtract the Crossbars from your maximum carrying capacity due to the weight of the crossbars and legs.



80kg (176lbs)
(Urban Road)

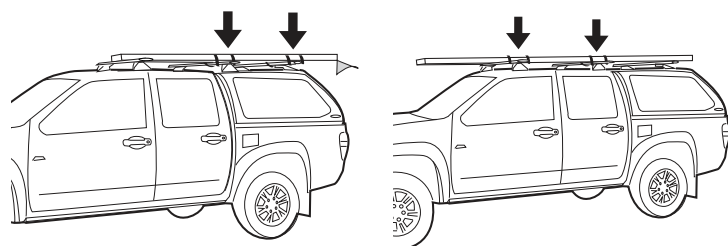
=

53kgs (116lbs)
(Off Road)

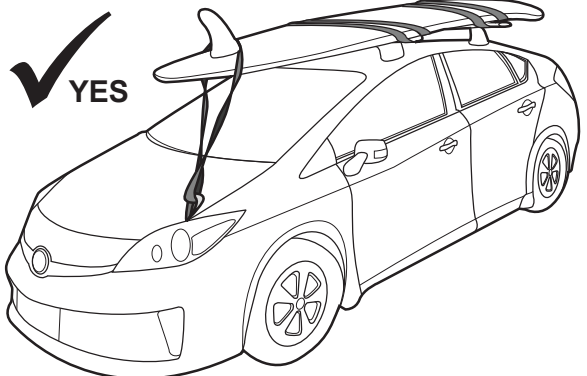


WARNING! Important Load Carrying Instructions

With utility vehicles, the cabin and the canopy move independently. Roof racks and vehicle can be damaged if the item transported is rigidly fixed at points on both the cabin and canopy. Instead, rigidly fix to either the cabin roof racks or the canopy roof racks.



Paddle/ Surfboards should be fixed to the front of the vehicle.





Stealth Flush Mount

Parts List

Item	Component RSB01S/B	Qty	Part No.
1	Crossbar 725mm	2	A685/A707
2	RSB Leg Assembly Left	1	CA1411
3	RSB Leg Assembly Right	1	CA1412
4	Vortex Generating Strip	2	M626
5	Instructions	1	R504

Item	Component RSB05S/B	Qty	Part No.
1	Crossbar 965mm	2	A689/A711
2	RSB Leg Assembly Left	1	CA1411
3	RSB Leg Assembly Right	1	CA1412
4	Vortex Generating Strip	2.5	M626
5	Instructions	1	R504

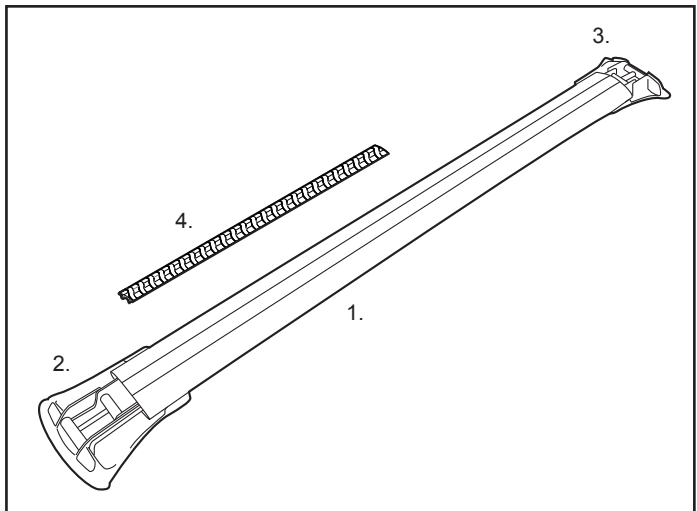
Item	Component RSB02S/B	Qty	Part No.
1	Crossbar 785mm	2	A686/A708
2	RSB Leg Assembly Left	1	CA1411
3	RSB Leg Assembly Right	1	CA1412
4	Vortex Generating Strip	2	M626
5	Instructions	1	R504

Item	Component RSB06S/B	Qty	Part No.
1	Crossbar 1025mm	2	A690/A712
2	RSB Leg Assembly Left	1	CA1411
3	RSB Leg Assembly Right	1	CA1412
4	Vortex Generating Strip	3	M626
5	Instructions	1	R504

Item	Component RSB03S/B	Qty	Part No.
1	Crossbar 845mm	2	A687/A709
2	RSB Leg Assembly Left	1	CA1411
3	RSB Leg Assembly Right	1	CA1412
4	Vortex Generating Strip	2.5	M626
5	Instructions	1	R504

Item	Component RSB07S/B	Qty	Part No.
1	Crossbar 1075mm	2	A691/A713
2	RSB Leg Assembly Left	1	CA1411
3	RSB Leg Assembly Right	1	CA1412
4	Vortex Generating Strip	3	M626
5	Instructions	1	R504

Item	Component RSB04S/B	Qty	Part No.
1	Crossbar 905mm	2	A688/A710
2	RSB Leg Assembly Left	1	CA1411
3	RSB Leg Assembly Right	1	CA1412
4	Vortex Generating Strip	2.5	M626
5	Instructions	1	R504



Note:

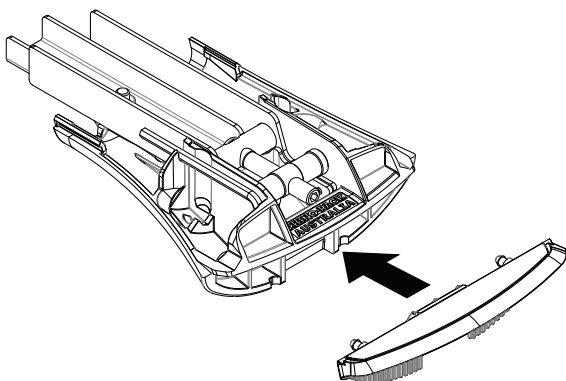
Allen key, gaskets and meta locking key provided in carton.

Tools Required:

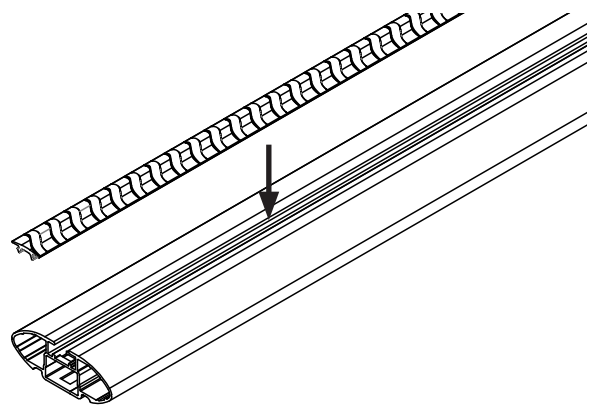
Clean cloth.

Parts List

- 1** Insert the gaskets into the ends of the crossbars as shown.



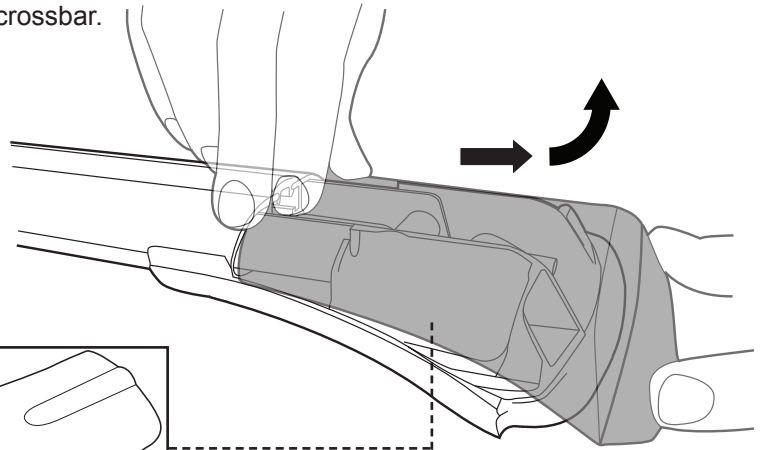
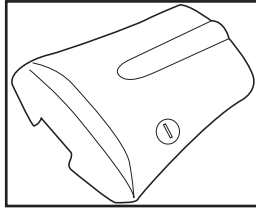
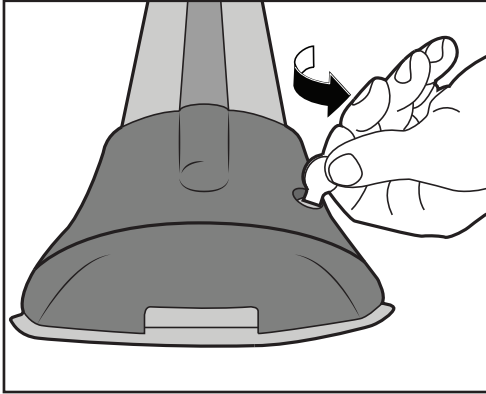
- 2** Insert vortex generating strips into the crossbars.



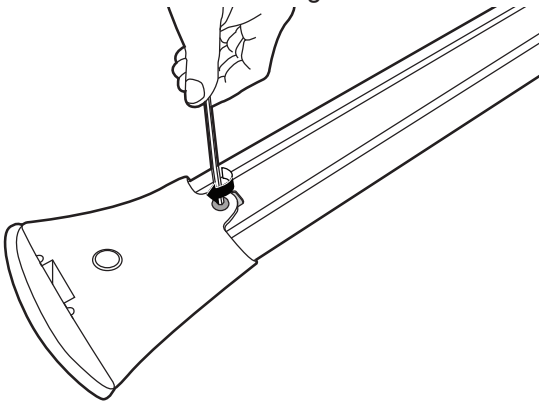


Stealth Flush Mount

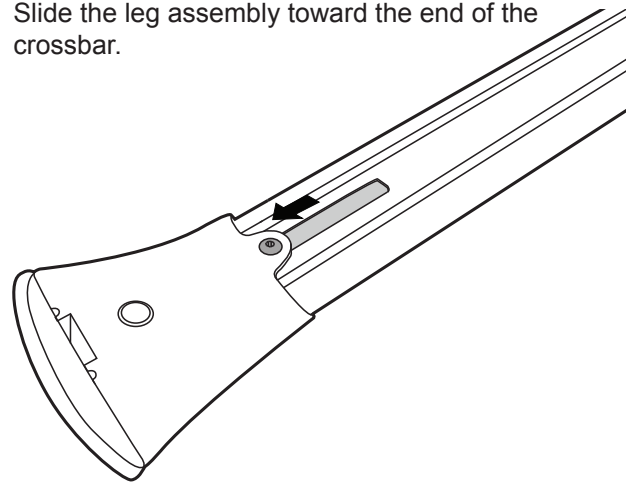
- 3** Using the key provided unlock and remove the cover plate from both ends of the crossbar.



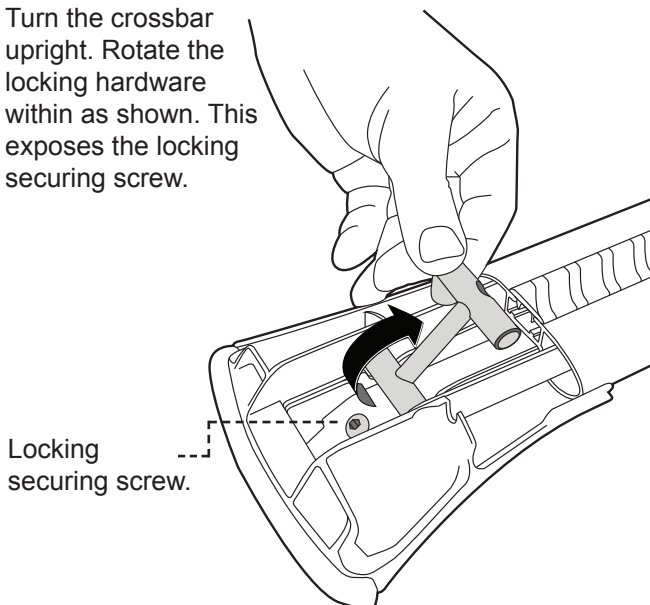
- 4** Turn the crossbar over, using the Allen key loosen the dome head bolt and flat washer at the rear underside of the mount leg.



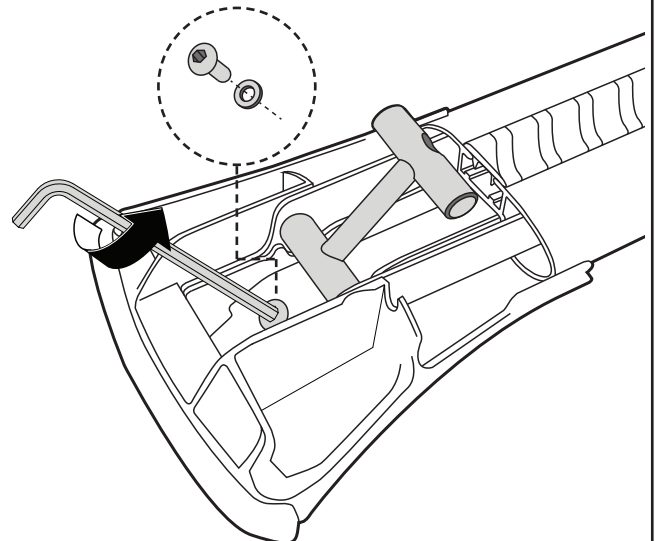
- 5** Slide the leg assembly toward the end of the crossbar.



- 6** Turn the crossbar upright. Rotate the locking hardware within as shown. This exposes the locking securing screw.



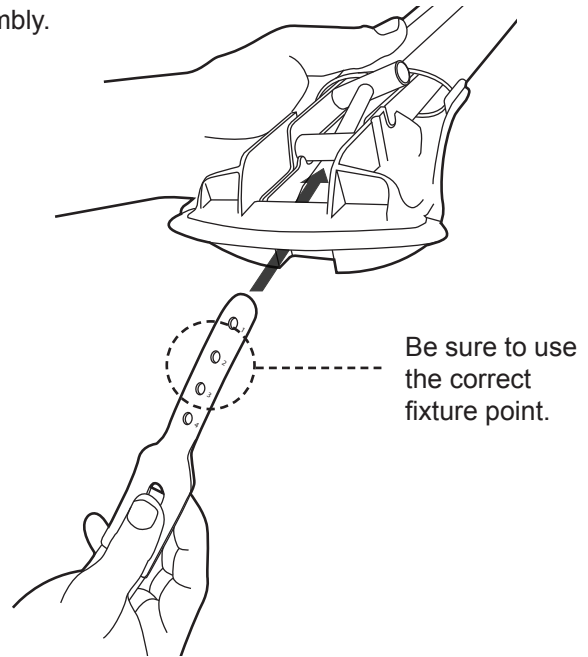
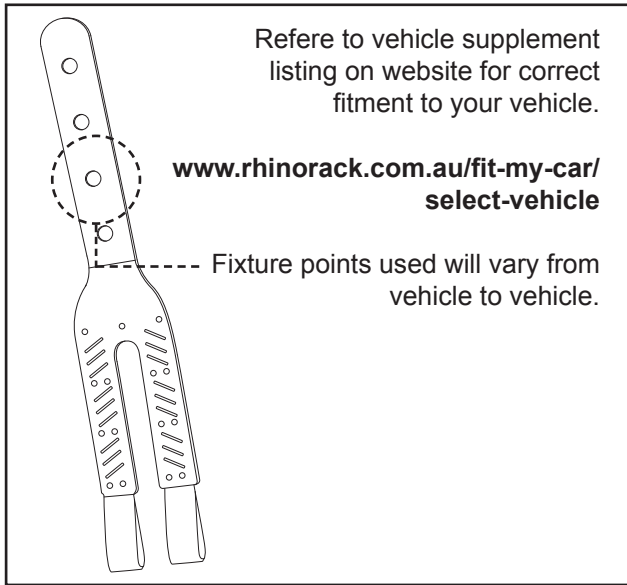
- 7** Remove the locking security screw with the allen key provided.



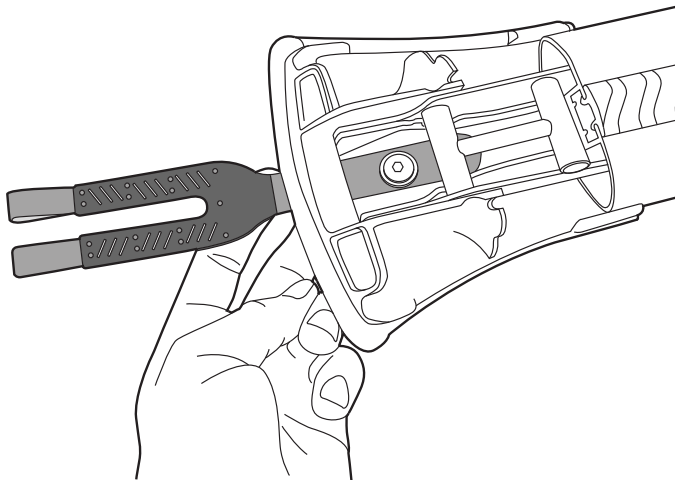


Stealth Flush Mount

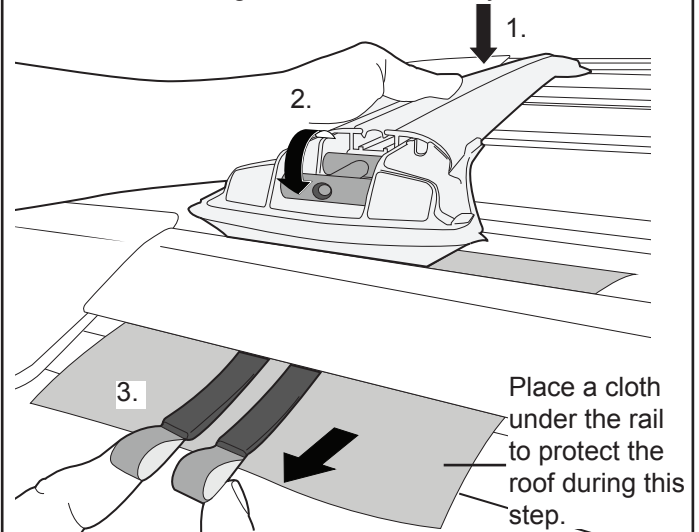
8 Slide the locking strap into the underside of the leg assembly.



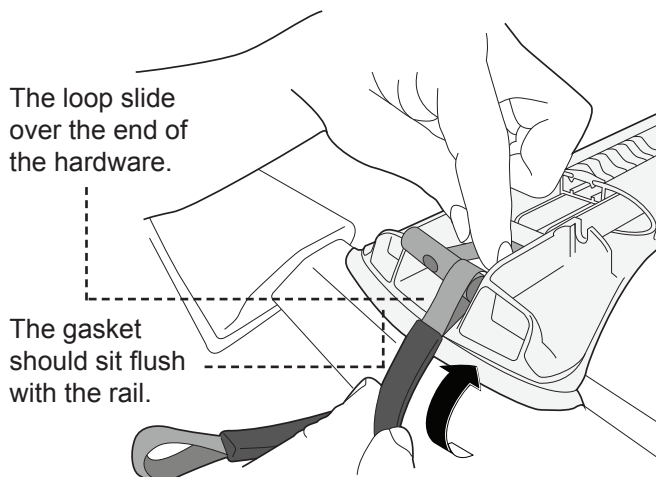
9 By viewing the supplement vehicle fit sheet, assert whether to use holes 1,2,3,or 4 on the locking strap. When the correct fit has been obtained replace hardware removed in step 6, tighten with the allen key



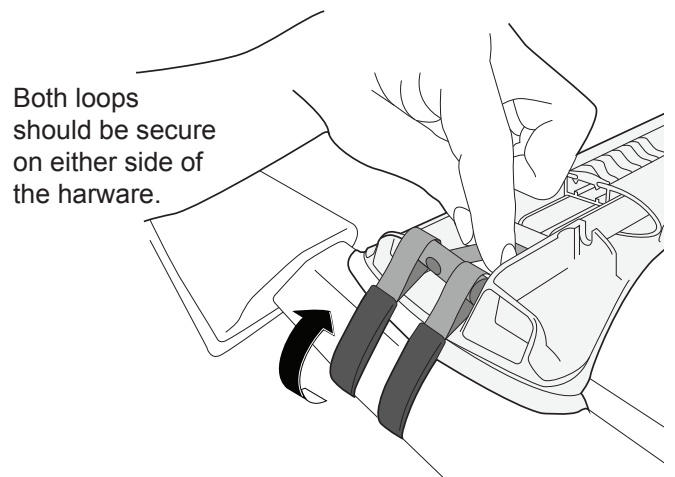
10 Move to the roof of the vehicle. 1: Place crossbar onto the factory roof rails. 2: Flip the locking hardware back to its original position. 3: Pull the locking tab under the factory roof rails.



11 Slide one of the loops on the arms of the locking strap over the locking hardware as shown.



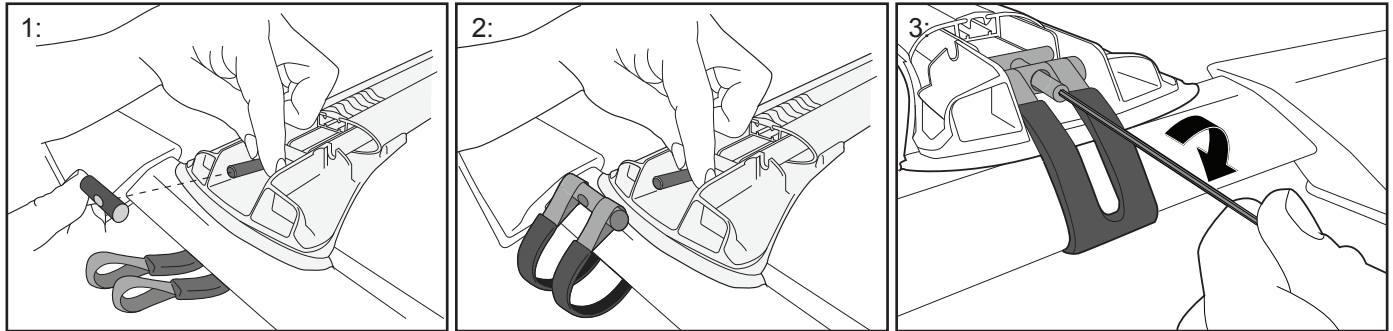
12 Slide the second loop on the arms of the locking strap over the locking hardware as shown.





Stealth Flush Mount

Note If the strap is too short to reach the preassembled barrel: 1 - Remove the barrel from the stud. 2 - Slide the barrel into the loops of the locking tab. 3 - Line the barrel flush with the end of the stud. 4 - Slide the allen key through the barrel and into the stud, as the allen key turns the barrel will lock onto the thread of the stud.



13 Using the allen key provided, tighten the locking hardware as shown. Make sure bar is positioned evenly on the vehicle.

Do not over tighten.

Tightening the hardware will lock the the leg mount in place.

14 Measure dimensions X on both sides of the vehicle and divide by 2 to find an average. Check both sides of the bar are even.

↔ (X)mm:

15 Using the allen key provided, tighten the dome head and flatwasher on the underside of the mount leg.

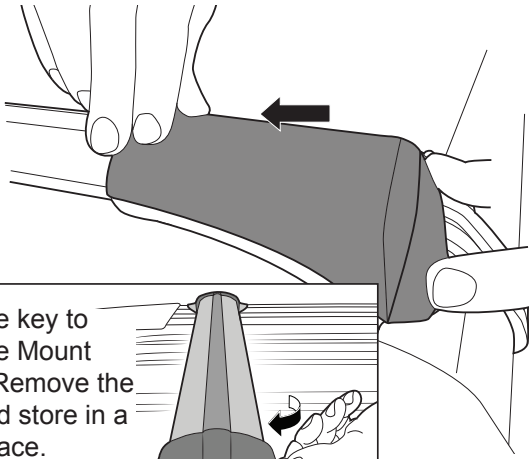
Tightening the dome head screw will fix the leg in place.

16 Place the Mount Leg Cover Plate onto the front of the leg as shown.

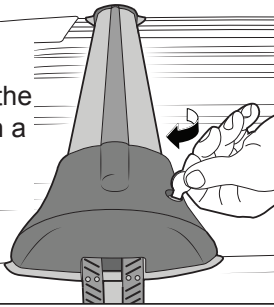


Stealth Flush Mount

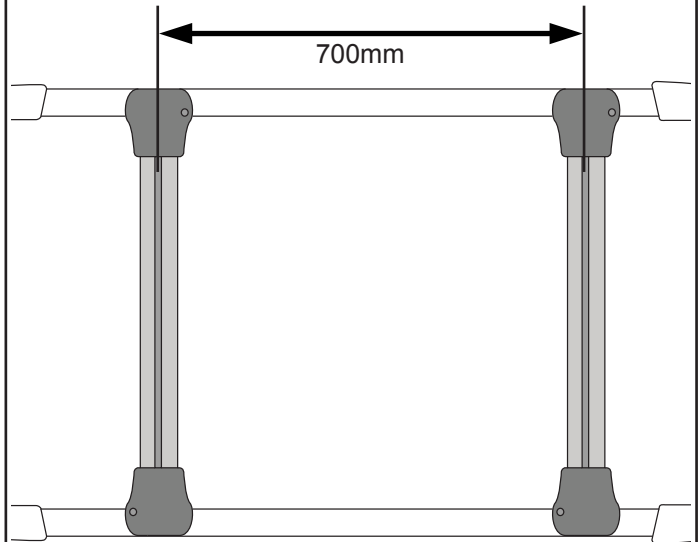
- 17** Slide the Cove Plate backward until it fixes into place and lock.



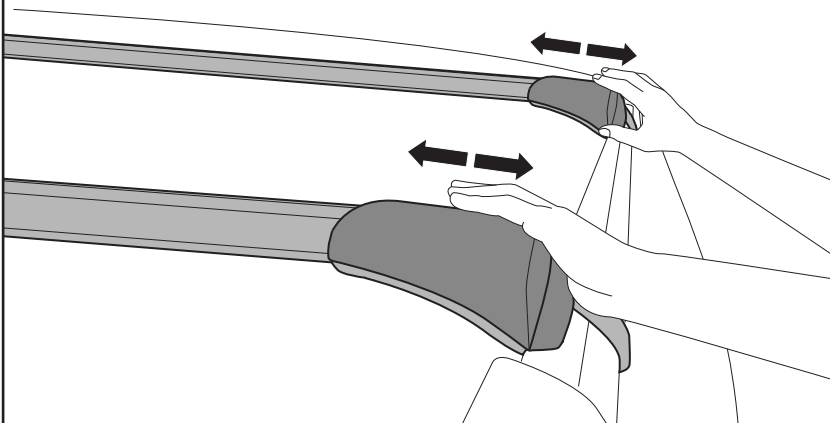
Use the key to lock the Mount Legs. Remove the key and store in a safe place.



- 18** Top View: For Optimal spacing keep bars at a minimum distance of 700mm center to center.



19



Check the bars are set securely before driving. If crossbars can slide, repeat step 13.